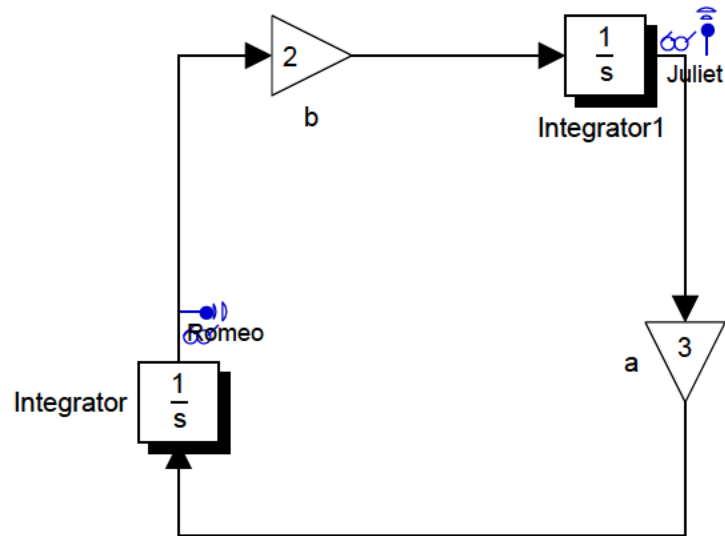


Out of touch with their feelings



$$\begin{aligned} dr/dt &= a*J \\ dj/dt &= b*R \end{aligned}$$